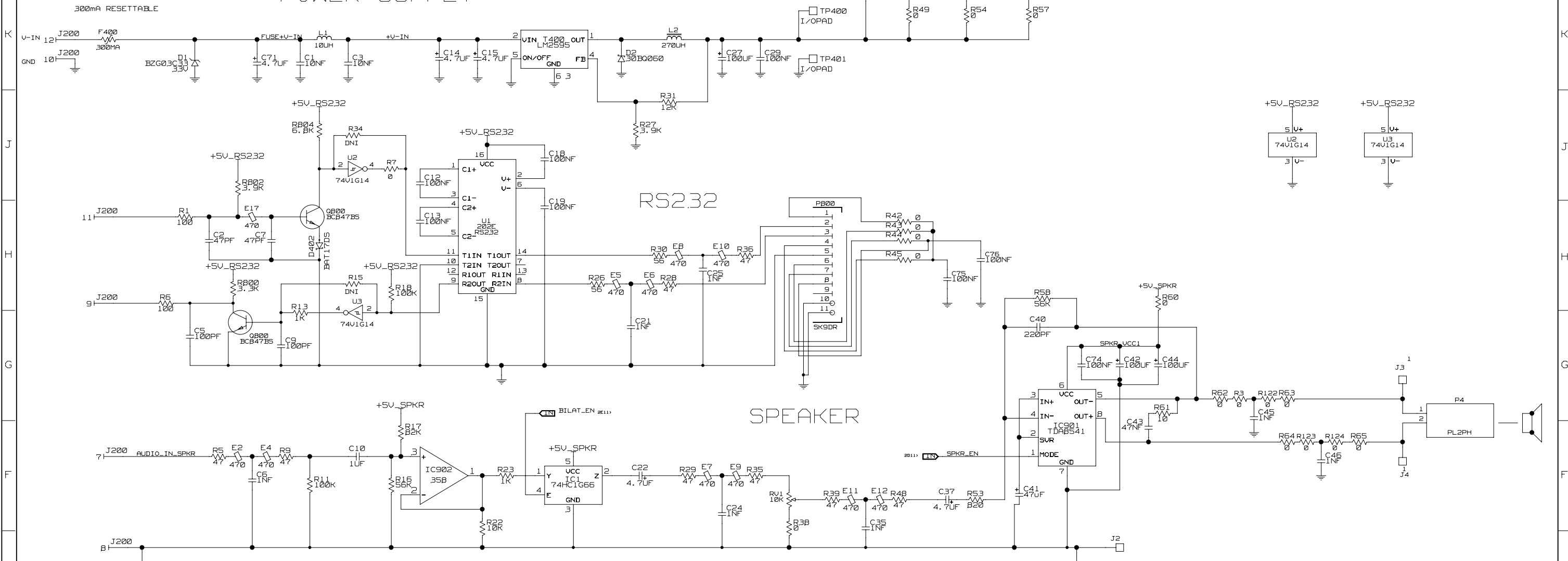


POWER SUPPLY

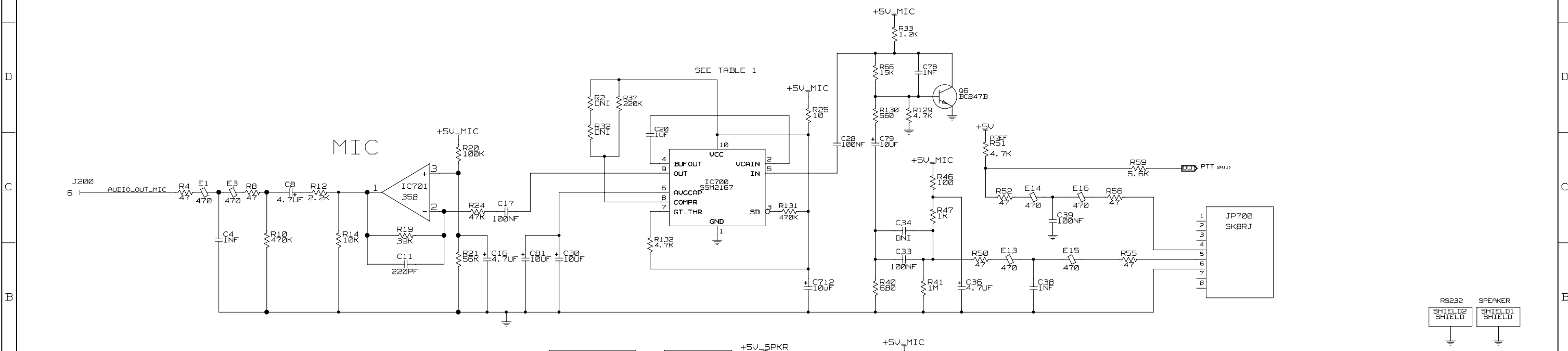


RS232

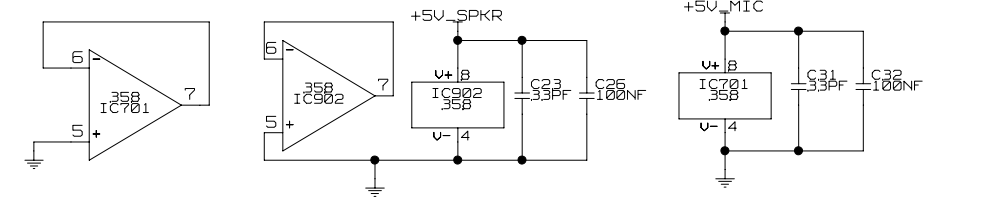
SPEAKER

AMPLIFIER

MIC

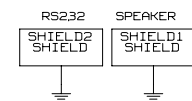


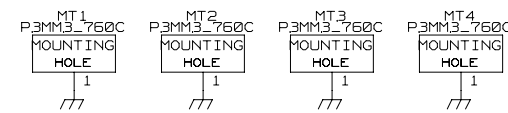
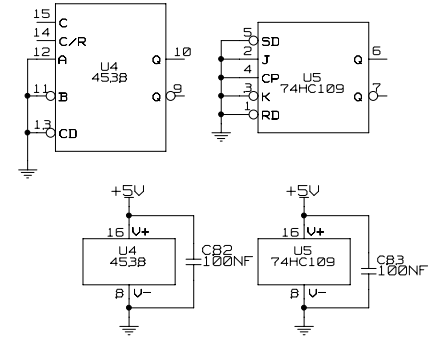
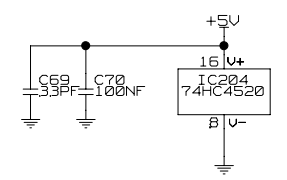
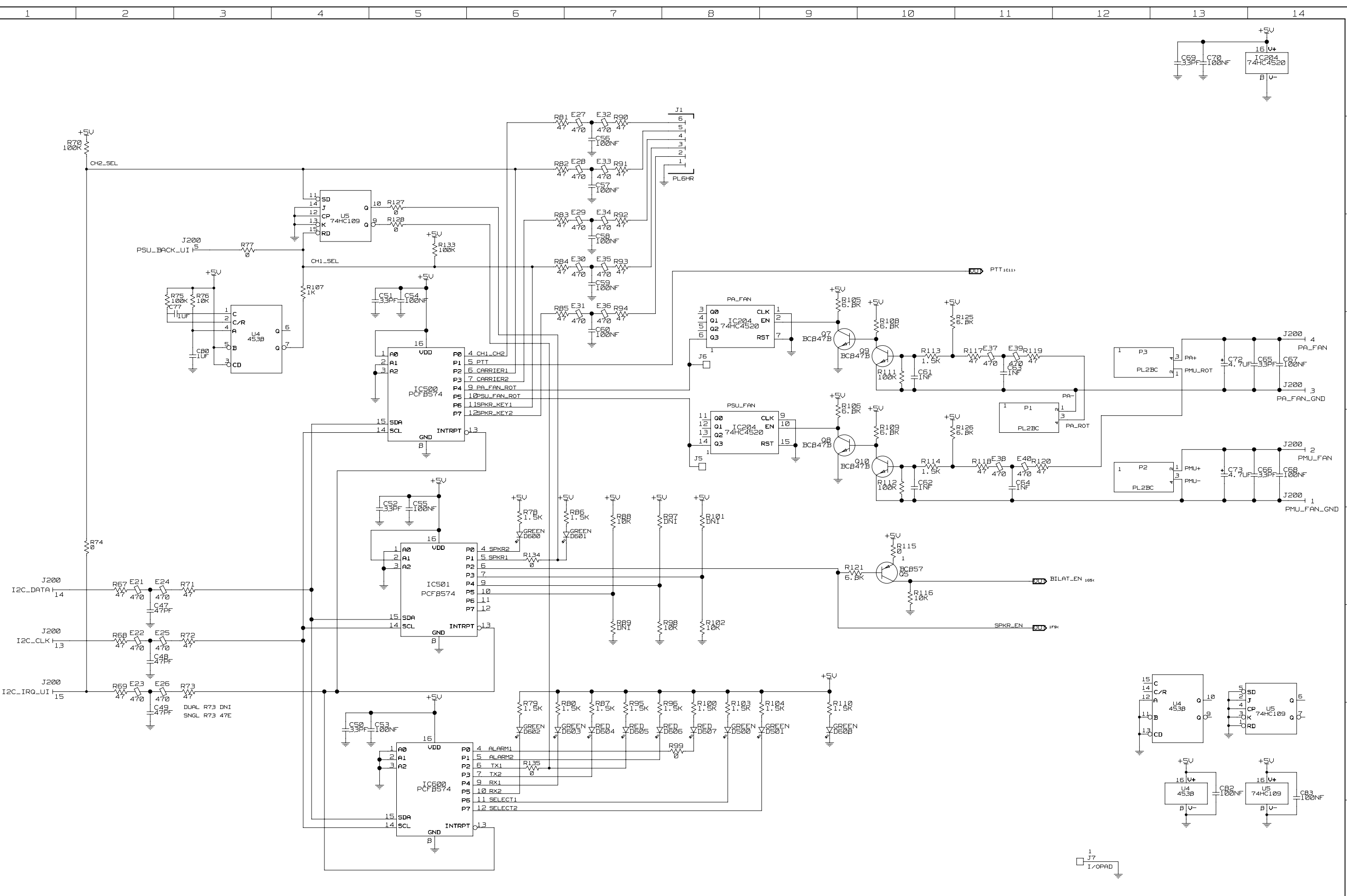
| REV/ISS | AMENDMENTS | DRAWN | CHKD | D. O. | APVD | DATE |
|---------|--|--------|------|-------|------|----------|
| 05A | | PAUL G | CJK | CJK | CJK | 26JUL06 |
| 04E | UPDATED R27 TO MATCH BOM | CJK | CJK | CJK | CJK | 3-05-04 |
| 04D | REVISED PER ECO 10120032B CIRCUIT REF UPDATE | CJK | CJK | CJK | CJK | 30-04-04 |
| 04B | REVISED PER ECO 101200077 | BAM | BAM | BAM | BAM | BAM |



| MIC TYPE | |
|----------|----------|
| DYNAMIC | C34 |
| ELECTRET | C33, R47 |

| | | |
|-------------------------------------|--------------|-----------------|
| © TAIT ELECTRONICS | | A1 |
| User Interface | | |
| USER INTERFACE | | |
| IPN: | ISSUE: | VARIANT NUMBER: |
| 220-02027-05 | A | ? |
| FILE DATE: Thu Jul 27 13:58:29 2006 | ENGINEER: | FILE NAME: |
| | Aiton Cooper | 220_02027 |
| | | SHEET NUMBER: |
| | | 1 OF 2 |





STRAIN RELIEF FPR SPKR CABLE

| | | |
|-------------------------------------|----------------------|----------------------|
| © TAIT ELECTRONICS | | A1 |
| User Interface | | |
| USER INTERFACE | | |
| IPN: 220-02027-05 | ISSUE: A | VARIANT NUMBER: ? |
| FILE DATE: Mon Jul 31 13:40:24 2005 | | |
| ENGINEER: Aiton Cooper | FILE NAME: 220_02027 | SHEET NUMBER: 2 OF 2 |

| REV/ISS | AMENDMENTS | DRAWN | CHKD | D.O. | APVD | DATE |
|---------|------------|-------|------|------|------|------|
| 1 | | | | | | |